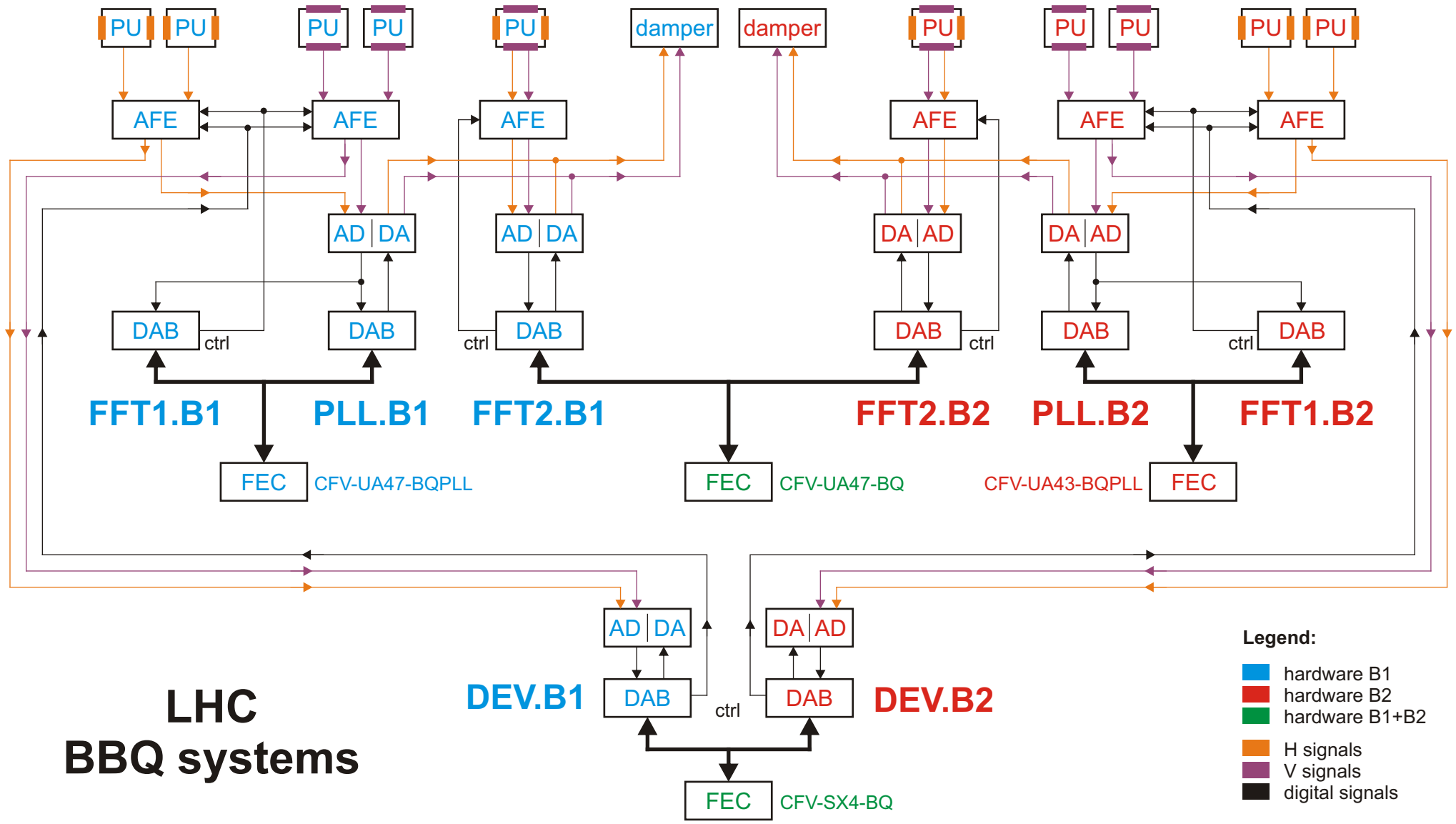


beam 1 → PT4 ← beam 2



- Legend:**
- hardware B1
 - hardware B2
 - hardware B1+B2
 - H signals
 - V signals
 - digital signals

LHC BBQ systems